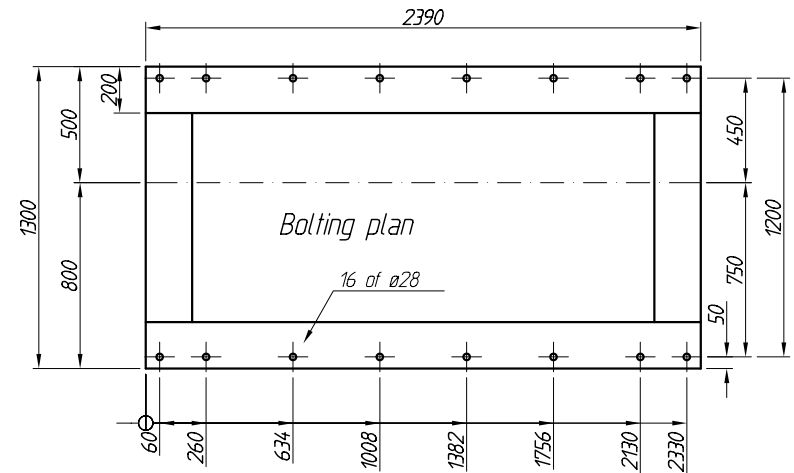
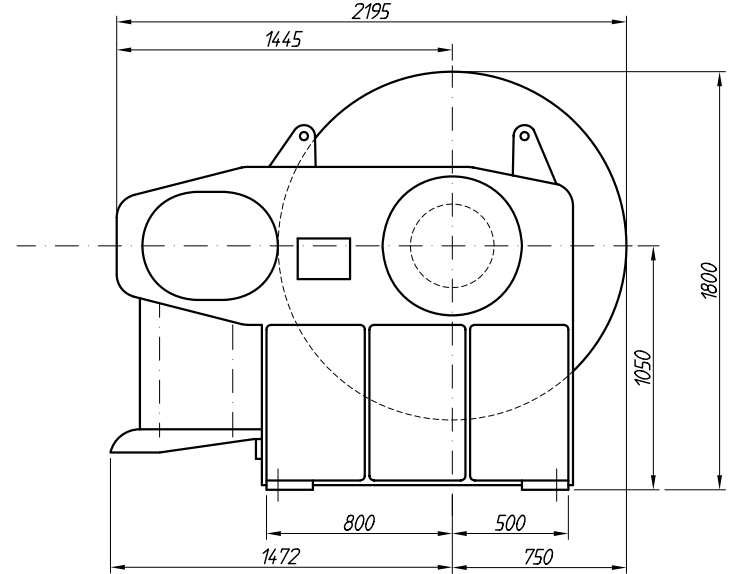


Sett fra kjedekasse ende



a) speilvendt vinsjen. 11.10.04 RTH

Pos	Nos	Description	Specification
This drawing / print / specification is our property and is not to be used or disclosed to any third party without our written consent. ©			
Date	Dsgn./Drawn	Appr.	Scale
21/02-00	RTH		1:25
Mooring Winch V00084			Repl.for: Repl.by:
2R14/84 TWS-2010 w/manual brake			
Reference:			M361110a
Estimate			t:\M\m360910

KARMOY WINGH
KOPERVIK, NORWAY