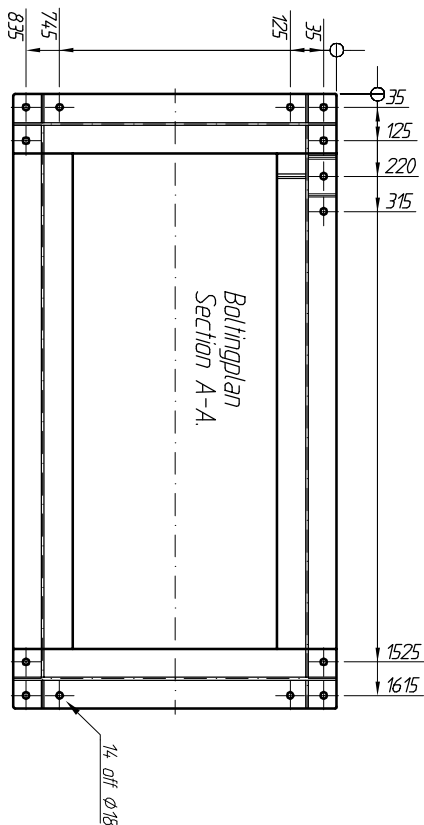
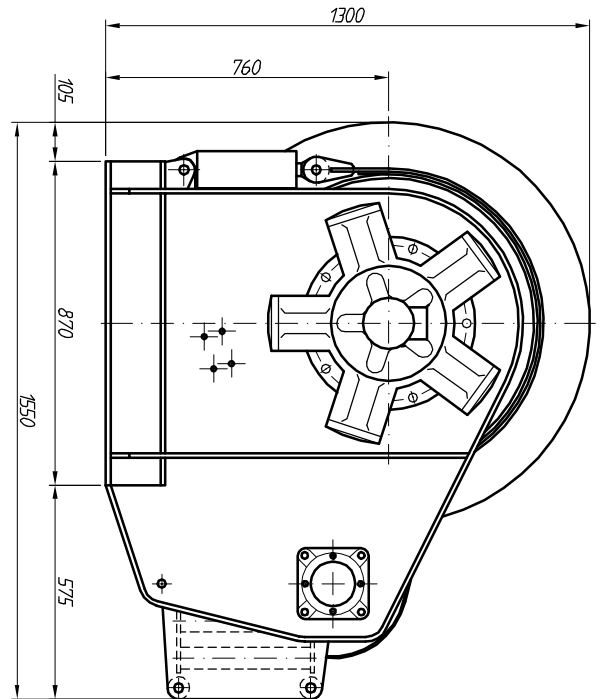


Weight 2 Ton

- d) Bolleplan korrigeret 15/12-97. Kha
- c) Totalallengde korr.: 5/12-96. HH
- b). Vinsjfundament korr. (Bredden) 22/1-94. HH
- a). Vinsjen korr. for ny brems. 20/1-94. HH.



Pos		Description		Specification	
Nos	Date	Dsgn./Drawn	Appr.	Scale	Repl for
	03/11-93	KEK		1:15	
<b>NET SOUNDING WINCH</b>					
Pull 3.2 Ton 1 layer					
Reference 162216					
Estimate					
<b>M360317 D</b>					
T.N.V.M360317					