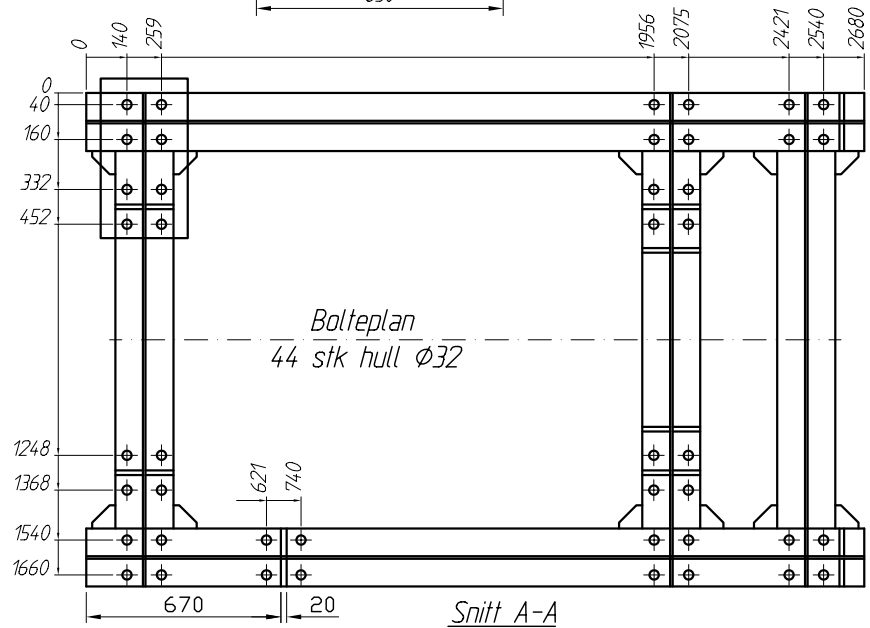
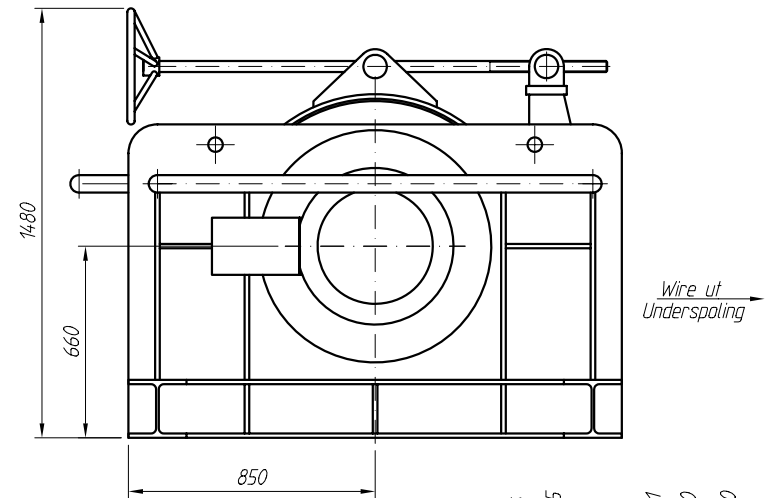


MOTOR : A2FE 107  
 GEAR : 1 : 261  
 DEPL : 27927 ccm/rev



Pos	Nos	Description	Specification
This drawing / print / specification is our property and is not to be used or disclosed to any third party without our written consent. ©			
Date	Dsgn./Drawn	Appr.	Scale
21/11-91	KEK		1:20
<b>Pull-in Winch 25 Ton</b> Forhalingsvinsj 25 Tonn V00044			Repl.for:  Repl.by:  <b>M360142a</b>
Reference:	Utleie	Estimate	161968 / 162037
			T: M\M360142

A1 tilført balteplan. 2903101 RTH