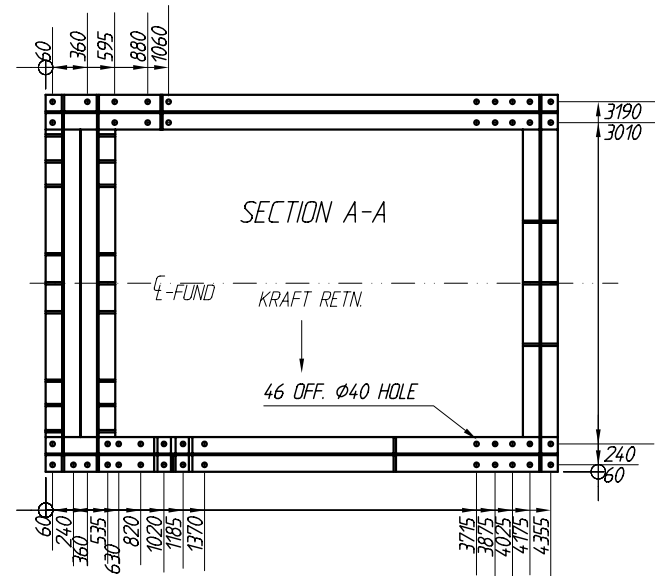
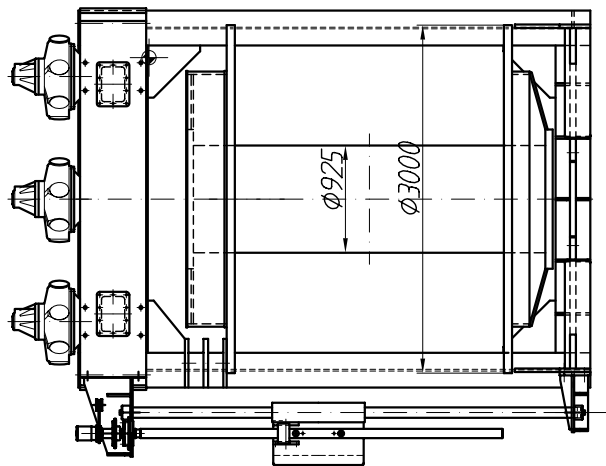
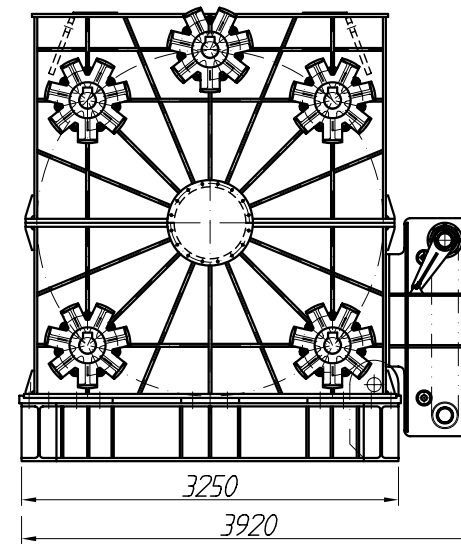


LIFTINGPOINTS:
 The drum is fitted with 4 off holes $\varnothing 85$ for 85 tonnes shackles.
 It is possible to use bigger shackles by change bushing in lifting point.



Brake arrangement is not shown

| Pos | Nos | Description | Specification |
|---|-------------|-------------|-----------------------------|
| This drawing / print / specification is our property and is not to be used or disclosed to any third party without our written consent. © | | | |
| Date | Dsgn./Drawn | Appr. | Scale |
| 19/03-92 | GS | | 1:50 |
| MOORING WINCH | | | Repl.for: |
| Weight=47Ton without wire | | | Repl.by: |
| Reference: 060161A | | | Estimate |
| | | | M360181A |
| Reference: 060161A | | | Estimate |
| | | | T:\M\M360181 31/10-96 08.04 |

A) Forsterket, Irommel, og tilført løfepunkt i Irommel, 17.09.03 RTh

Fundament tegn. 162231